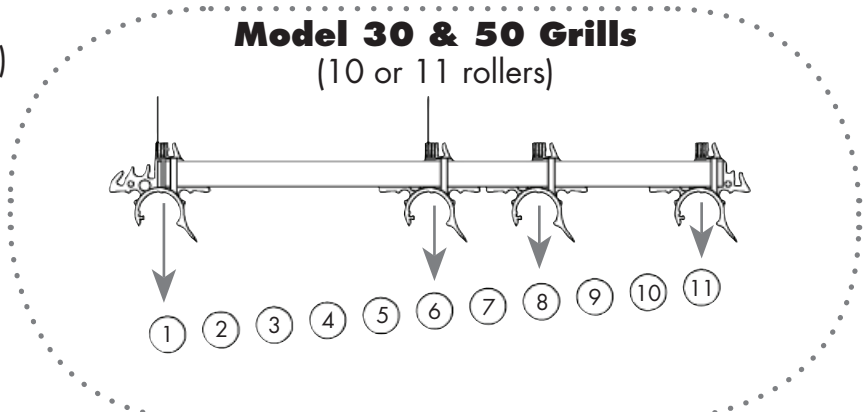




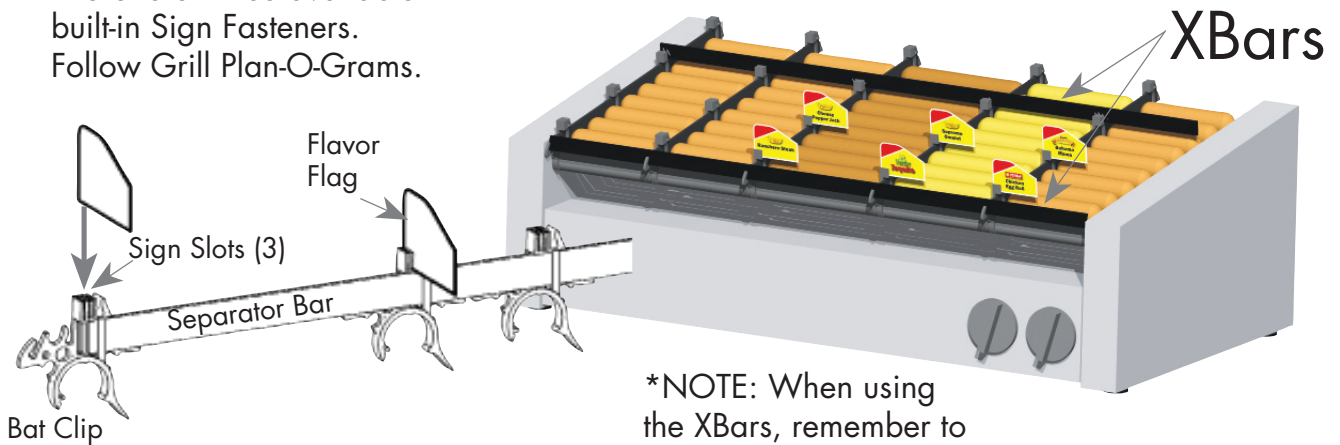
DOG CATCHER® INSTRUCTIONS

Please wash all parts before use. For best results grill rollers should be cleaned according to manufacturer's procedures before or after every shift.

- 1 Position Bat Clip™ over any (4) rollers and snap down. See 2 below for any grill that is NOT a Star Manufacturing grill.



- 2 Insert Flavor Flags deep into one of three available built-in Sign Fasteners. Follow Grill Plan-O-Grams.



*NOTE: When using the XBars, remember to remove the Nib

- 3 **REMOVE NIB IF TOO TIGHT**

*NOTE: Nib (shown in red in illustration below) is necessary for proper fit on StarMax rollers and all recent grills made by Star Mfg. **For all other grills (except Star Manufacturing International†) REMOVE THE NIB.** Remove with needle nose pliers, wire snips, or the tail from another Bat Clip™; firmly grip the entire NIB and gently twist as shown; it should break straight and clean; if not, remove excess with wire cutter. Evidence that NIB needs to be removed is if the rollers stop, the Dog Tag® breaks, scratches develop on the roller, or if an excessive noise level develops. †NOTE: remove NIB on older model Star Manufacturing grills with a LOW, MED, HIGH temperature dial.

